



MGG EQ/3

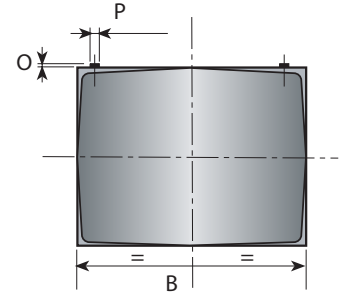
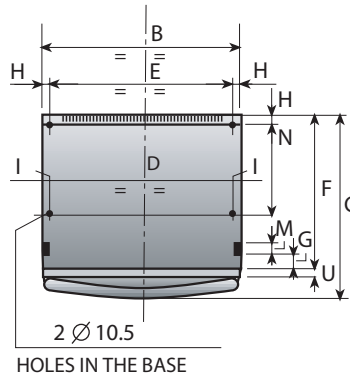
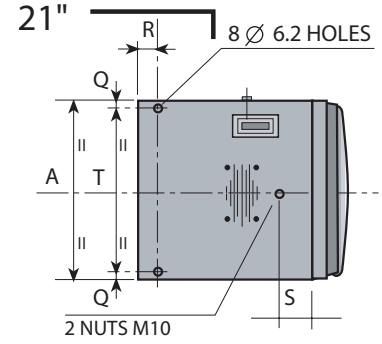
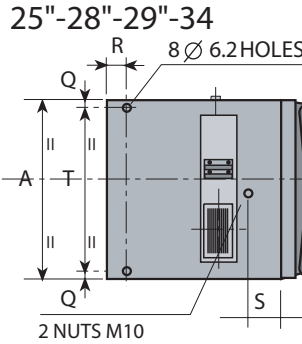
21"  
25"  
28"  
29"  
34"

MECHANICAL DATA

DIM.	A	B	C	D	E	F	G	H	I	L	M	N	O	P	Q	R	S	T	U
21" mm	370	466	468	436	426	403	30	20	15	30	45	283	5	95	15	50	105	340	-
25" mm	434.5	553	445	523	513	370	22	20	15	30	45	220	5	95	15	50	-	404.5	53
28" mm	465.5	591	538.8	561	551	467	39	20	15	30	45	283	5	95	15	50	-	435.5	42.8
29" mm	480	610	500	580	570	430	30	20	15	30	45	246	5	95	15	50	-	450	39
34" mm	571	718	536	688	678	435	43	20	15	30	45	251	5	95	15	50	80	541	58



A range of rugged monitors specifically designed by Hantarex for video wall applications. Self-locking mounting hardware ensures rock-solid installation, while flush fitting bezels ensure the neatest installation, and recessed control panels and connectors make the smallest demands on space. To aid cooling, Hantarex has installed an integral fan in every MGG video wall monitor. Easy removal of the electronic chassis from the rear of the monitor ensures the video wall need never be dismantled once installed.



MAIN DIMENSIONS AND WEIGHTS TABLE					
21"	EQ/3	HEIGHT	WIDTH	DEPTH	WEIGHT
		370 mm	466 mm	468 mm	29 Kg
PRODUCT CODE		02197720			
25"	EQ/3	HEIGHT	WIDTH	DEPTH	WEIGHT
		434.5 mm	553 mm	445 mm	37.5 Kg
PRODUCT CODE		02197270			
28"	EQ/3	HEIGHT	WIDTH	DEPTH	WEIGHT
		465.5 mm	591 mm	538.8 mm	43.6 Kg
PRODUCT CODE		02197640			
29"	EQ/3	HEIGHT	WIDTH	DEPTH	WEIGHT
		480 mm	610 mm	500 mm	43.6 Kg
PRODUCT CODE		02197150			
34"	EQ/3	HEIGHT	WIDTH	DEPTH	WEIGHT
		571 mm	718 mm	536 mm	64 Kg
PRODUCT CODE		02197550			

C.R.T. SIZE AND DIAGONALS

Inches	Diagonal	Ratio	U.S.A.
21"	51 cm	4/3	19 V
25"	59 cm	4/3	23 V
28"	66 cm	4/3	26 V
29"	68 cm	4/3	27 V
34"	80 cm	4/3	32 V

Specifications of products are subject to change without notice.

TECHNICAL SPECIFICATION  
MGG EQ/3

PICTURE TUBE	Deflection angle Pixel width Flat Square	21", 25", 28", 29", 34" 21"/90°, 25", 28", 29", 34"/110° 21"/0.68 mm, 25", 28", 29", 34"/0.82 mm F.S. Black matrix - high contrast
COLOUR SYSTEM		PAL / SECAM / NTSC 3.58 / NTSC 4.43, automatic selection
VIDEO SIGNAL SYSTEM		CCIR 625 lines / 50 fields (EUROPE) EIA 525 lines / 60 fields (U.S.A.)
INPUT SIGNALS	VIDEO	To BNC connectors with 75 ohm resistance excludible for loop connections. Vi = 1 Vpp
	SUPER VHS	To mini, 4 position DIN connectors Vi chrominance = 300mVpp Vi luminance = 1Vpp
	RGB	To D9 connector and analogue input level (0.7Vpp). TTL level obtainable by disconnecting 3 bridges on the signal plate. Separate synchronism or positive/ negative composite or synchronism on green. Sync level = 0.5V 5Vpp
	SCART CONNECTOR	To the video and audio input/output, RGB input, fast RGB commutation (1.5V 12V) Slow VCR video commutation (4.5V 12V)
	AUDIO	To RCA and SCART connector. Vi = 0.5V rms Output power = 6W at 8 ohm
VIDEO BANDWIDTH		Composite video 6 MHz (-3dB) RGB 8 MHz (-3dB) SVHS 8 MHz (-3dB) brightness
POWER INPUT		180 264 V a.c. 50 Hz (90 130 V a.c. 60 Hz vers.USA)
POWER CONSUMPTION		90 W max for 21" - 29" 125 W max for 34"
OPERATING TEMPERATURE		5°C to 40°C

